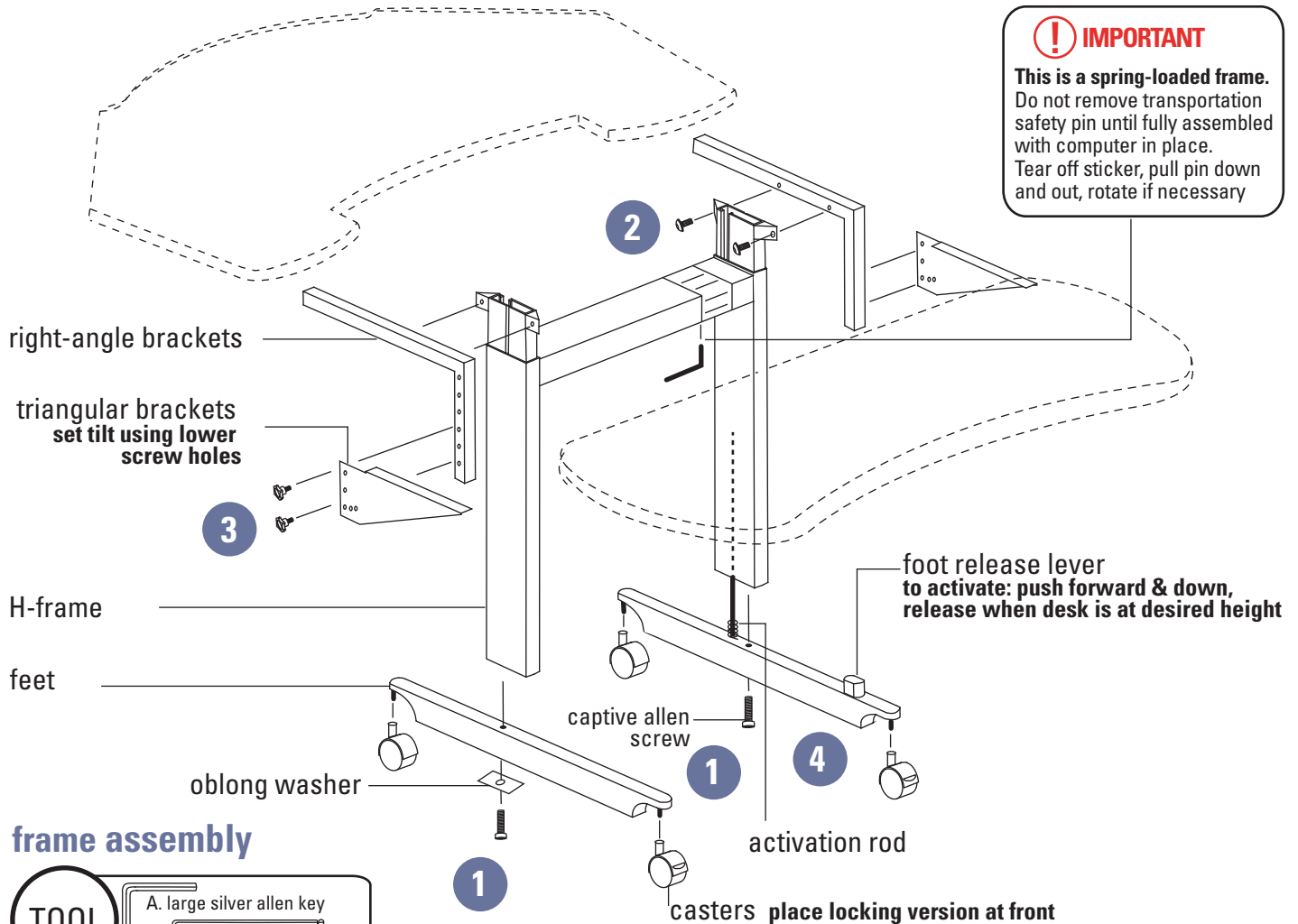


! IMPORTANT

This is a spring-loaded frame. Do not remove transportation safety pin until fully assembled with computer in place. Tear off sticker, pull pin down and out, rotate if necessary



frame assembly

TOOL

- A. large silver allen key
- B. small black allen key

silver allen screw x 1 **1**

use to attach left foot to H-frame w/oblong washer using tool A. Right side screw is captive in foot.

black allen screw x 4 **2**

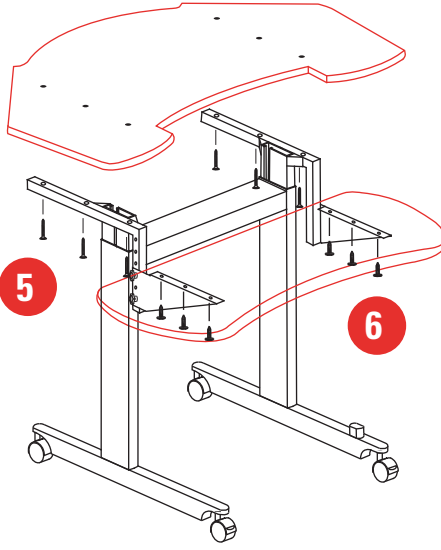
use to attach 2 right-angle brackets to H-frame using tool B

pressure knob x 4 **3**

use to attach triangular brackets to right-angle brackets

casters x 4 **4**

attach casters onto feet push in hard to lock. Place lockable ones at front



top assembly

TOOL screw gun w/philips bit

1 1/2" silver screw x 6 **5**

attach monitor surface to right-angle brackets using location holes in surface. Use for LEVEL ONE/EXO LT

! DO NOT OVERDRIVE SCREWS

1/2" silver screw x 6 **6**

attach keyboard surface to triangular brackets using location holes in surface

